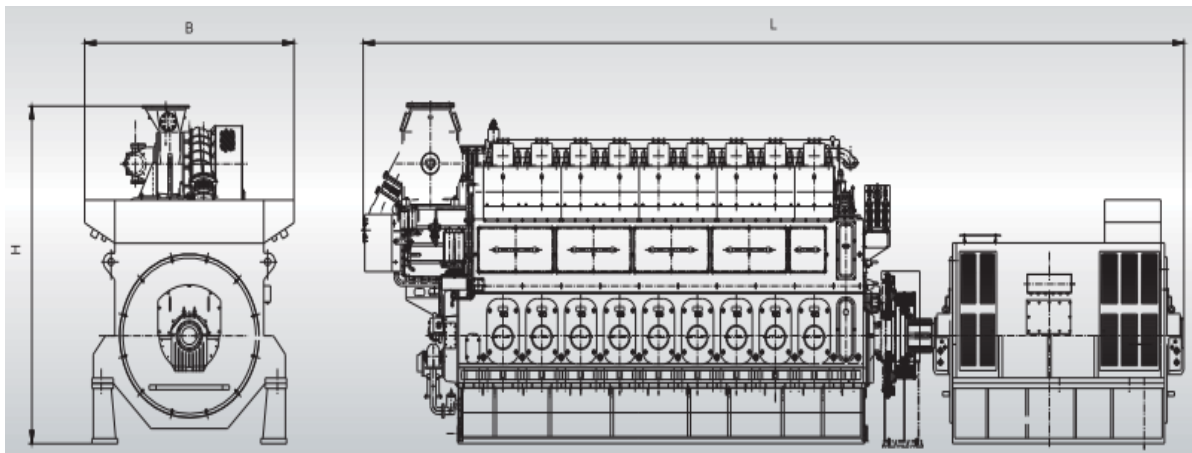


## 9N260AZLD

Bore 260 mm, Stroke 380 mm

Main Data					
Speed	750 rpm		720 rpm		
Frequency	50 Hz		60 Hz		
Model	Genset. kw	Engine. kw	Genset. kw	Engine. kw	
2790GF	2,790	2,940	-	-	
2500GF	-	-	2,500	2,650	
Based on alternator efficiency of 95%.					
Specific Consumption					
100% Load		Unit			
Fuel Oil Consumption		g/kWh		188	
Lube oil consumption		g/kWh		0.5 - 0.8	
Dimensions					
Speed	Cyl.	Dimensions (mm) <sup>1)</sup>			Dry Mass (ton) <sup>2)</sup>
		L	B	H	Genset <sup>1),3)</sup>
	8	8,450	2,380	3,600	47



### Remarks:

- 1) Depending on alternator.
- 2) Weight included a standard alternator (Maker: ZCP).
- 3) With common base frame & alternator.
- 4) This size is only for reference. The actual size is subject to the size defined in the agreement of the specific project..

URL: <http://www.soarpower.com>

E-mail: [sale@soarpower.com](mailto:sale@soarpower.com)

Phone: +86-4008111308