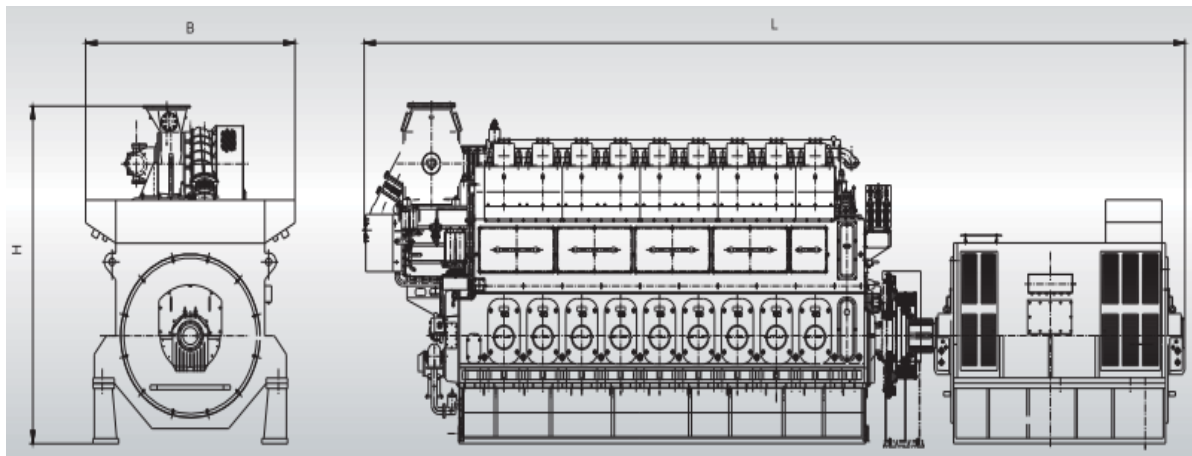


8N350

Bore 350 mm, Stroke 450 mm

Main Data					
Speed	600 rpm		600 rpm		
Frequency	50 Hz		60 Hz		
Model	Genset. kw	Engine. kw	Genset. kw	Engine. kw	
4000GF	4,000	4,263	4,000	4,263	
3800GF	3,800	4,043	3,800	4,043	
3600GF	3,600	3,822	3,600	3,822	
Based on alternator efficiency of 95-96%.					
Specific Consumption					
100% Load		Unit			
Fuel Oil Consumption		g/kWh		190	
Lube oil consumption		g/kWh		0.5 - 0.8	
Dimensions					
Speed	Cyl.	Dimensions (mm) ¹⁾			Dry Mass (ton) ²⁾
		L	B	H	Genset ^{1),3)}
	8	9,420	2,765	4,525	75



Remarks:

- 1) Depending on alternator.
- 2) Weight included a standard alternator (Maker: ZCP).
- 3) With common base frame & alternator.
- 4) This size is only for reference. The actual size is subject to the size defined in the agreement of the specific project..

URL: <http://www.soarpower.com>

E-mail: sale@soarpower.com

Phone: +86-4008111308