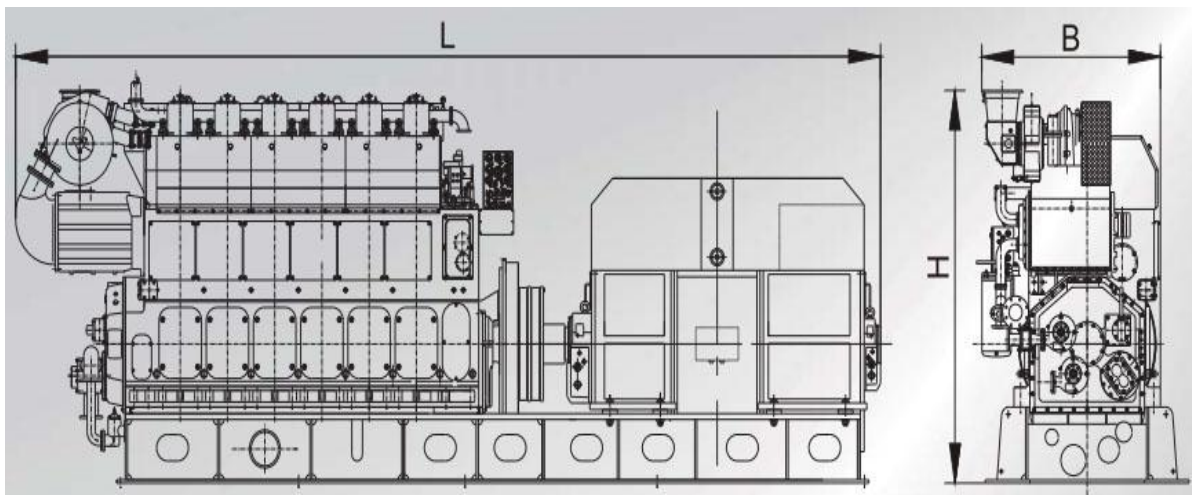


9G26

Bore 260 mm, Stroke 390 mm

Main Data					
Speed	750 rpm		720 rpm		
Frequency	50 Hz		60 Hz		
Model	Genset. kw	Engine. kw	Genset. kw	Engine. kw	
9G26	2,850	3,000	2,735	2,880	
Based on alternator efficiency of 95%.					
Specific Consumption					
100% Load	Unit		Engine	Genset	
Fuel Oil Consumption	g/kWh		185	196	
Lube oil consumption	g/kWh		0.8	0.81	
Dimensions					
Speed	Cyl.	Dimensions (mm) ¹⁾			Dry Mass (ton) ²⁾
		L	B	H	Genset ^{1),3)}
	9	9,490	1,810	3,463	74.3



Remarks:

- 1) Depending on alternator.
- 2) Weight included a standard alternator (Maker: GDF).
- 3) With common base frame & alternator.

Note) All dimensions and weight are approximate value and subject to change without prior notice.

URL: <http://www.soarpower.com>

E-mail: sale@soarpower.com

Phone: +86-4008111308